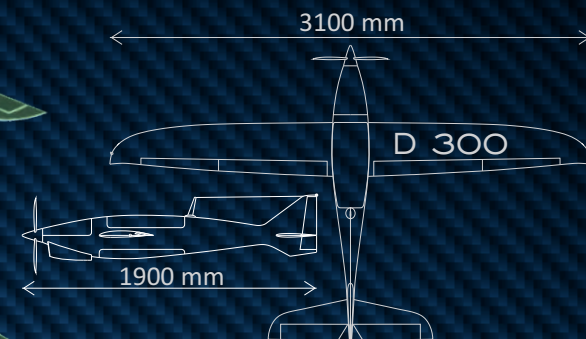


Flight platforms for monitoring, observation, research.

For areas - industry, security services, fire and rescue services, science, agriculture.

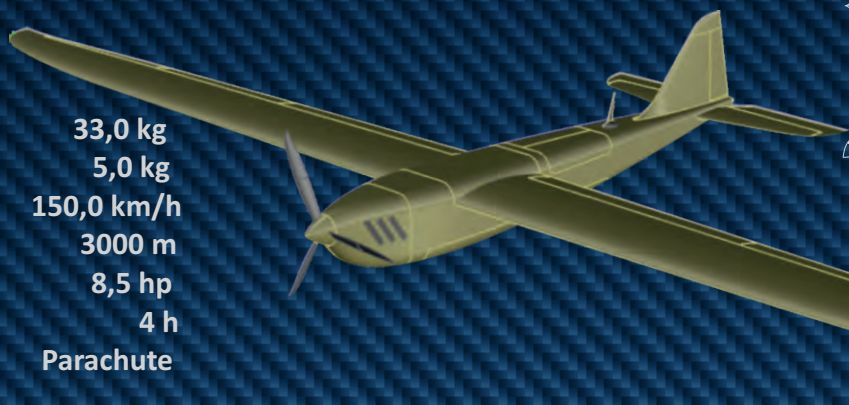
D 300

MTOM	25,0 kg
Payload	5,0 kg
Speed up to	250,0 km/h
Altitude to	3000 m
Engine	8,5 hp
Endurance up to	3,3 h
Landing	Parachute



D 600

MTOM	33,0 kg
Payload	5,0 kg
Speed up to	150,0 km/h
Altitude to	3000 m
Engine	8,5 hp
Endurance up to	4 h
Landing	Parachute



D 900

MTOM	52,0 kg
Payload	10,0 kg
Speed up to	130,0 km/h
Altitude to	5000 m
Engine	10,0 hp
Endurance up to	7 h
Landing	Landing gear or Parachute

